

1310nm/1550nm FP Pigtailed Components

Features

- Built - in optical isolator
- Low capacitance and low dark current
- High stability of FP lasers diode
- Low threshold current , low operating current
- Integrated high isolation , low insertion loss



Applications

CATV Reverse Transmission

Other Analog or Digital Optical Transmission

Absolute Maximum Ratings

Parameter	Symbol	Min.	Max.	Unit	Test Condition
Storage Temperature	Tstg	-40	100	°C	-
Operating Temperature	Top	-40	85	°C	-
Forward Current(LD)	If(LD)		120	mA	CW
Reverse Voltage(LD)	Vr(PD)		2	V	
Forward Current(PD)	If(LD)		2	mA	CW
Reverse Voltage(PD)	Vr(PD)		15	V	
Soldering Temp	-	-	260	°C	-
Soldering Time	-	-	10	S	S

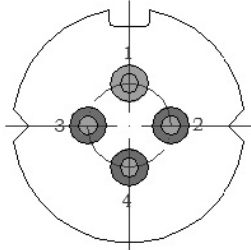
Optical & Electrical Characteristics

Parameter	Symbol	Min.	Typ.	Max.	Unit	Test Condition
Rated Power	Po	0.2	-	4	mW	Ith+20mA
Threshold Current	Ith	5	-	12	mA	CW
Forward Voltage Drop	Vop	-	1.0	1.5	V	CW, Ith+20mA
Cent Wavelength	λ_c	1300	1310	1320	nm	-20dB
		1540	1550	1560		
Spectrum Width(-3dB)	$\Delta\lambda$	-	2	3	nm	Ith+20mA
Bandwidth	Bw	-		2.5	GHz	-
Monitor Current	Im	100		900	uA	CW, Ith+20mA
Dark Current of Monitor	Id	-	-	100	nA	5V
Relative Intensity Noise	RIN	-	-150	-	dB/Hz	CW, 25 °C
RF Bandpass Flatness	BF		±1.5		dB	If=Iop,45MHz-1200MHz
Third-order Distortion	IMD3	-	53		dBc	2 tone test,
Optical Isolation	ISO	30	40	-	dB	25 °C



PIN Definition

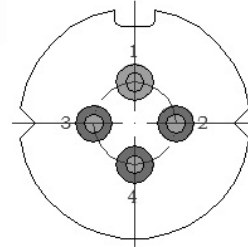
LD:



Type A:

- 【1】 LD +
- 【2】 LD -
- 【3】 PD +
- 【4】 PD -

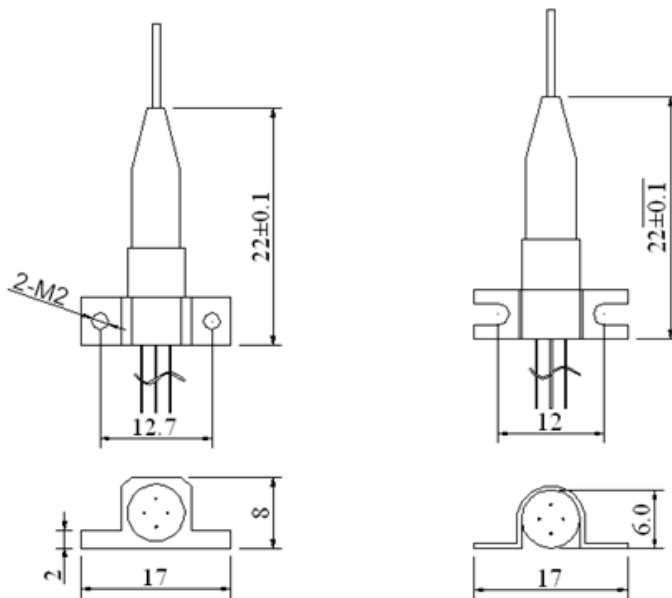
LD:



Type B:

- 【1】 CASE
- 【2】 LD -
- 【3】 LD+/PD-
- 【4】 PD +

Drawing



Order Information

MLD-FXXX2-XXXX

M	LD	-F	XX	X	2	-X	X	X	X
Mode	Product Type	Chip	Wavelength	Insulator	Bandwidth	Connector	Pin	Pigtail Length	Power Range
		F: FP	31: 1310nm 55: 1550nm	S: Single B: Dual W: Without	2: 2.5Gb/s	1: FC/APC 2: FC/PC 3: SC/APC 4: SC/PC 5: LC/PC 6: LC/APC	A: 725 B: 720	05: 0.5m 10: 1.0m	P02: >0.2mW P05: >0.5mW P1: >1mW P4: >4mW

Additional requirements can be settled through friendly negotiation.

Shengshi Optical Tech. Co.,Ltd reserves the right to make changes to the product or information contained herein without notice.